

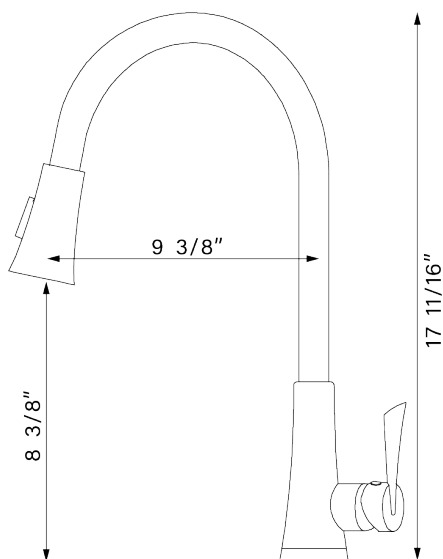
Fountain Series
PELICAN INT'L
KITCHEN FAUCETS



PL-8218

Our Fountain Series kitchen faucets are comprised of premium metal construction and a flawless finish that resists corrosion and tarnishing. The lead-free, solid brass body and premium, certified ceramic cartridges exceed industry longevity standards.

This faucet is UPC, NSF, EPA, CEC, and ASME certified and meets applicable US Federal and State material regulations.



SPECS

SPOUT LENGTH: 9 3/8"

SPOUT HEIGHT: 8 3/8"

OVERALL HEIGHT: 17 11/16"

FLOW RATE: 1.8 gal/min (6.84 l/min)

PRESSURE: 60 psi (4.1 bar)

INSTALLATION: Single-hole

COLOR: Brushed Nickel

DETAILS

PART: _____

QTY: _____

PROJECT: _____

CONTACT: _____

DATE: _____

NOTES: _____

APPROVAL: _____

The Fountain Series kitchen faucets carry a limited lifetime warranty for as long as the original purchaser owns the home the faucet was originally installed in.



6140 Ulmerton Rd Clearwater, FL 33760

www.PelicanFL.com

Office: (727) 388-9895

Fax (727) 362-1281