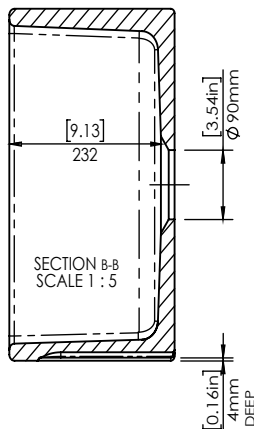
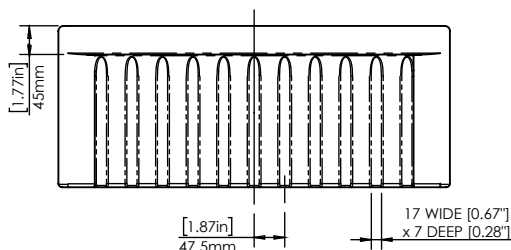
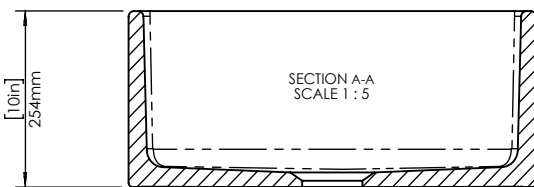
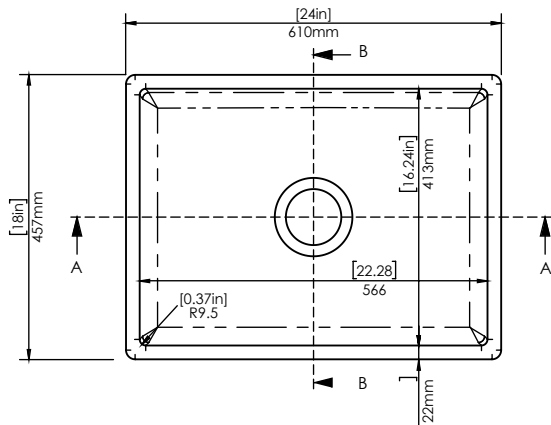


*Fireclay Series*  
**PELICAN INT'L**  
 FARMHOUSE SINKS



# PL-FC105

The PL-FC105 reversible farmhouse sink is comprised of a tough material that is made by heating specific types of refined clay. Its typical white translucent color is formed when the molded fixture is fired at a high temperature, and its surface is non-porous, giving you the highest-quality reversible farmhouse sink.



## SPECS

**OVERALL SIZE:** 24" x 18" x 10"

**BOWL SIZE:** 22 9/32" x 16 1/4" x 10"

**DRAIN OPENING:** 3 1/2"

**INSTALLATION:** Apron Front, Reversible

**COLOR:** White

## DETAILS

**PART:** \_\_\_\_\_

**QTY:** \_\_\_\_\_

**PROJECT:** \_\_\_\_\_

**CONTACT:** \_\_\_\_\_

**DATE:** \_\_\_\_\_

**NOTES:** \_\_\_\_\_

**APPROVAL:** \_\_\_\_\_

The Fireclay Series Farmhouse Sinks carry a limited lifetime warranty for as long as the original purchaser owns the home the sink was originally installed in.



6140 Ulmerton Rd Clearwater, FL 33760

www.PelicanFL.com

Office: (727) 388-9895

Fax (727) 362-1281