

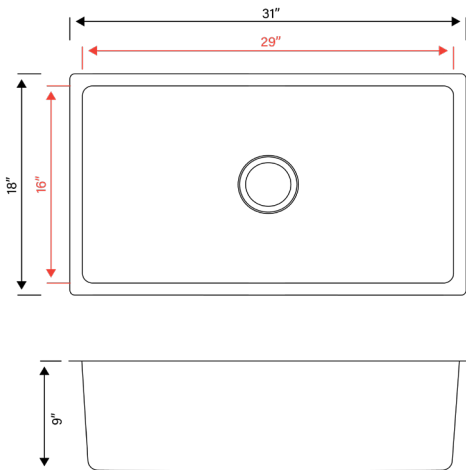
*Urban Series*  
**PELICAN INT'L**  
STAINLESS STEEL SINKS



## PL-VR3118-R20

Our Urban Series stainless steel sinks are manufactured with heavy duty 18-gauge 304 Series stainless steel. 304 Series or "surgical grade" stainless steel is non-porous, hygienic, rust free, extremely durable, and easy to maintain. With a chromium to nickel ratio of 18:10, you can expect industry superiority. Chromium gives the metal its shine and durability while Nickel gives the sink its hardness and strength. Each sink is crafted with elegant lines, deep 9-inch bowls, and tightly rounded 20-degree radius corners.

A protective undercoating and sound deadening pads help control sound attenuation. They also reduce condensation buildup on the bottom of the sink that could lead to moisture problems in the base of the cabinet the sink is installed in.



## SPECS

**OVERALL SIZE:** 31" x 18" x 9"

**BOWL SIZE:** 29" x 16" x 9"

**DRAIN OPENING:** 3 1/2"

**INSTALLATION:** Undermount

**THICKNESS:** 18G

**FINISH:** Satin Brushed

**BOTTOM GRID AVAILABLE**

## DETAILS

**PART:** \_\_\_\_\_

**QTY:** \_\_\_\_\_

**PROJECT:** \_\_\_\_\_

**CONTACT:** \_\_\_\_\_

**DATE:** \_\_\_\_\_

**NOTES:** \_\_\_\_\_

**APPROVAL:** \_\_\_\_\_

The Urban Series Stainless Steel Sinks carry a limited lifetime warranty for as long as the original purchaser owns the home the sink was originally installed in.



6140 Ulmerton Rd Clearwater, FL 33760

[www.PelicanFL.com](http://www.PelicanFL.com)

Office: (727) 388-9895

Fax (727) 362-1281