

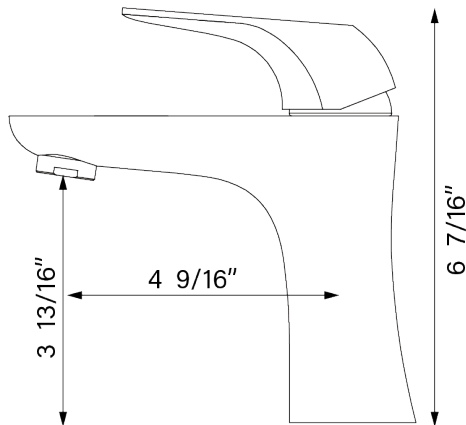
*Cascade Series*  
**PELICAN INT'L**  
BATHROOM FAUCETS



**PL-8164**

Our Cascade Series bathroom faucets are comprised of premium metal construction and a flawless finish that resists corrosion and tarnishing. The lead-free, solid brass body and premium, certified ceramic cartridges exceed industry longevity standards.

This faucet is UPC, NSF, EPA, CEC, and ASME certified and meets applicable US Federal and State material regulations.



## SPECS

**SPOUT LENGTH:** 4 9/16"

**SPOUT HEIGHT:** 3 13/16"

**OVERALL HEIGHT:** 6 7/16"

**FLOW RATE:** 1.5 gal/min (5.7 l/min)

**PRESSURE:** 60 psi (4.1 bar)

**INSTALLATION:** Single-hole

**COLOR:** Brushed Nickel

## DETAILS

**PART:** \_\_\_\_\_

**QTY:** \_\_\_\_\_

**PROJECT:** \_\_\_\_\_

**CONTACT:** \_\_\_\_\_

**DATE:** \_\_\_\_\_

**NOTES:** \_\_\_\_\_

**APPROVAL:** \_\_\_\_\_

The Cascade Series bathroom faucets carry a limited lifetime warranty for as long as the original purchaser owns the home the faucet was originally installed in.



6140 Ulmerton Rd Clearwater, FL 33760

[www.PelicanFL.com](http://www.PelicanFL.com)

Office: (727) 388-9895

Fax (727) 362-1281