

*Signature Series*  
**PELICAN INT'L**  
STAINLESS STEEL SINKS

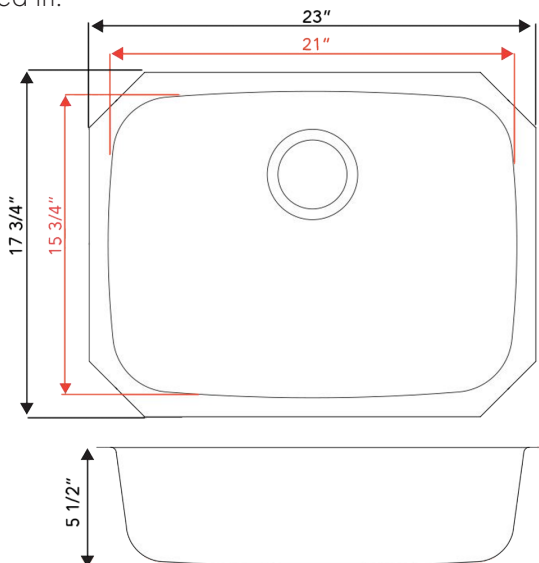


## PL-VS2318 ADA

The PL-VS2318 ADA single bowl undermount sink is constructed with 304 Series stainless steel. 304 Series or "surgical grade" stainless steel is nonporous, hygienic, rust-free, and extremely durable.

Its satin brush finish creates an enduring, easy-to-clean luster and is designed to conceal small scratches that occur during normal usage. The bottom has an undercoating applied and is fitted with sound-deadening pads.

Both features help deaden sound attenuation and act to reduce condensation buildup on the bottom of the sink that could lead to moisture problems in the base of the cabinet that the sink is installed in.



## SPECS

**OVERALL SIZE:** 23" x 17 3/4" x 5 1/2"

**BOWL:** 21" x 15 3/4" x 5 1/2"

**DRAIN OPENING:** 3 1/2"

**INSTALLATION:** Undermount

**THICKNESS:** 18G

**FINISH:** Satin Brushed

## DETAILS

**PART:** \_\_\_\_\_

**QTY:** \_\_\_\_\_

**PROJECT:** \_\_\_\_\_

**CONTACT:** \_\_\_\_\_

**DATE:** \_\_\_\_\_

**NOTES:** \_\_\_\_\_

**APPROVAL:** \_\_\_\_\_

The Signature Series Stainless Steel Sinks carry a limited lifetime warranty for as long as the original purchaser owns the home the sink was originally installed in.



6140 Ulmerton Rd Clearwater, FL 33760

[www.PelicanFL.com](http://www.PelicanFL.com)

Office: (727) 388-9895

Fax (727) 362-1281