



## **PL-FC3318DB**

*Farmhouse Series*  
Fireclay Sink

### **Features**

- Double Bowl
- Reversible Front Design
- Nonporous Gloss - Hygienic

### **Material**

- Clay and Various Minerals

### **Installation**

- Apron Front, Undermount



---

6140 Ulmerton Road Clearwater, FL 33760

Phone: (727) 388-9895

Fax: (727) 362-1281

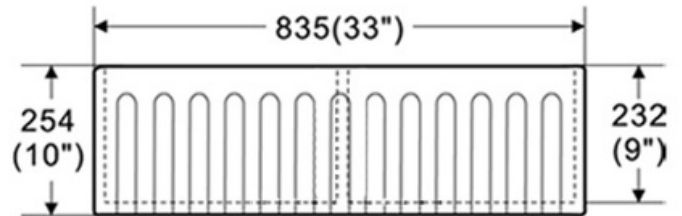
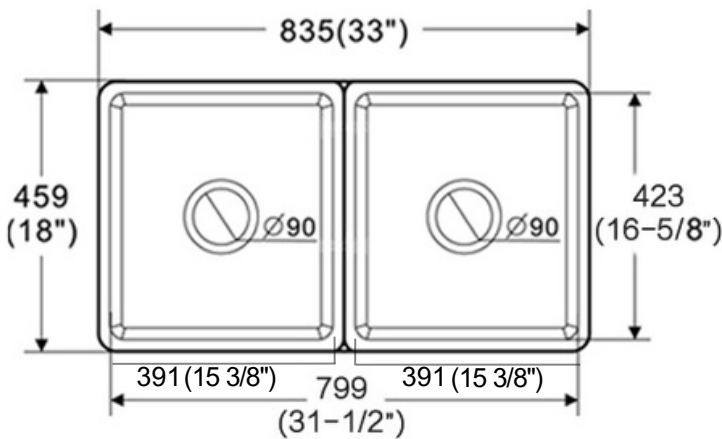
*For the most current Specification Sheet, go to [www.pelicansinks.com](http://www.pelicansinks.com)*



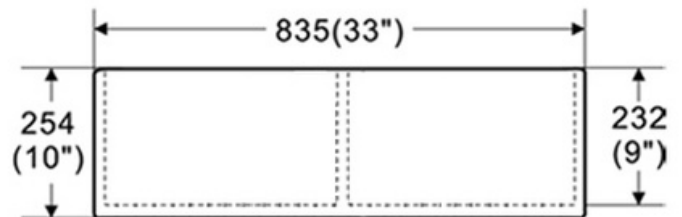


# PL-FC3318DB

Farmhouse Series  
Fireclay Sink



fluted



plain

### Technical Information

All product dimensions are nominal

Exterior Measurements: 33" x 18" x 10"

Bowl Measurements: 15 3/8" x 16 5/8" x 9"

Bowl Configuration: Double

### Installation Information

Pelican recommends Fireclay sinks be installed by a professional, experienced installer.

### Limited Lifetime Warranty

See website for detailed warranty information.

6140 Ulmerton Road Clearwater, FL 33760

Phone: (727) 388-9895

Fax: (727) 362-1281

For the most current Specification Sheet, go to [www.pelicansinks.com](http://www.pelicansinks.com)

